

ORION[★] 40K

POWER, PERFORMANCE & PRECISION

40,000 lbs. maximum capacity



**Orion 40K 40,000 lbs.
Capacity at 24" Load Center**

- Orion's quick-change attachment systems
- Durable components, long dependable life.
- Smooth, controlled hydrostatic drive
- Powerful V8, LP power
- Made in Canada 🇨🇦



highreachinc.com

orionlifts.com

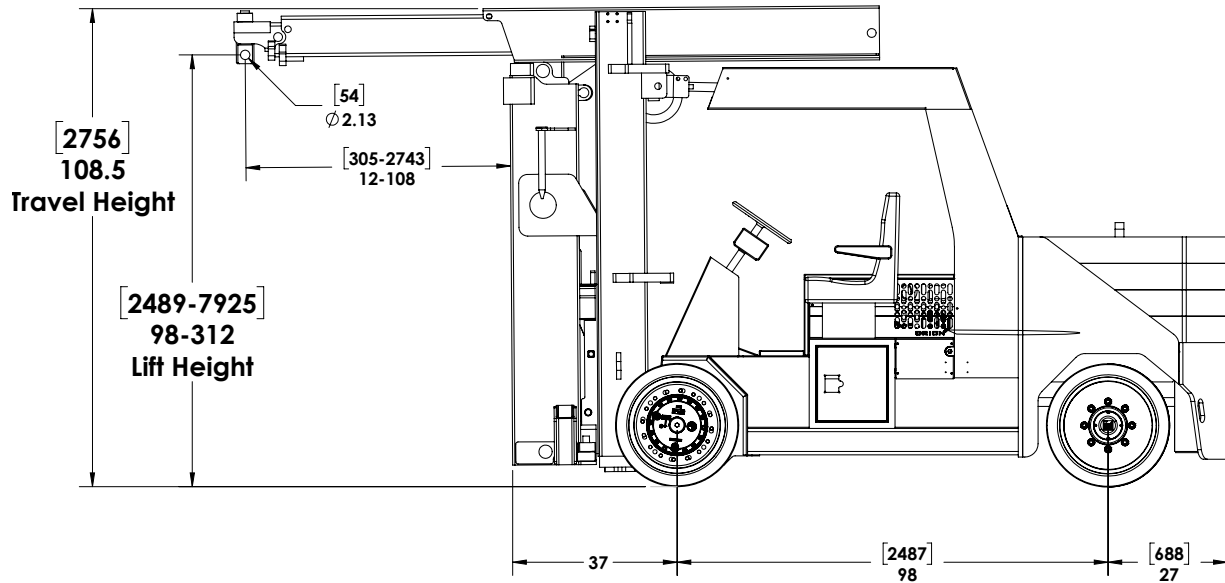
ORION [★]40K

POWER, PERFORMANCE & PRECISION

Component Weights:

Chassis w/forks & all ctwts:	42,500 lbs.	Forks/carriage:	3,450 lbs.
Front:	15,780 lbs.	Boom:	3,450 lbs.
Rear:	26,720 lbs.	Boom & Stand:	4,150 lbs.
Chassis w/o ctwts, w/forks:	26,500 lbs.	Counterweights:	4,000 lbs. x 4 each
Front:	15,780 lbs.	Total Ctwts:	16,000 lbs.
Rear:	10,720 lbs.		

Boom Specifications



Weight As Shown Above 42,500 lbs-19,320 KG

Rated Boom Capacities (lbs.)									
LC in Inches	12"	24"	36"	48"	60"	72"	84"	96"	108"
0 CWT	16,920	13,600	11,370	9,770	8,560	7,620	6,860	6,250	5,730
1 CWT	23,740	19,080	15,950	13,700	12,010	10,690	9,630	8,760	8,040
2 CWT	30,560	24,560	20,530	17,640	15,460	13,760	12,400	11,280	10,350
3 CWT	37,380	30,040	25,110	21,570	18,910	16,830	15,160	13,790	12,650
4 CWT	44,200	35,520	29,690	25,510	22,360	19,900	17,930	16,310	14,960

*CAPACITIES RATED WITH MAST VERTICAL

ORION^{40K}

POWER, PERFORMANCE & PRECISION

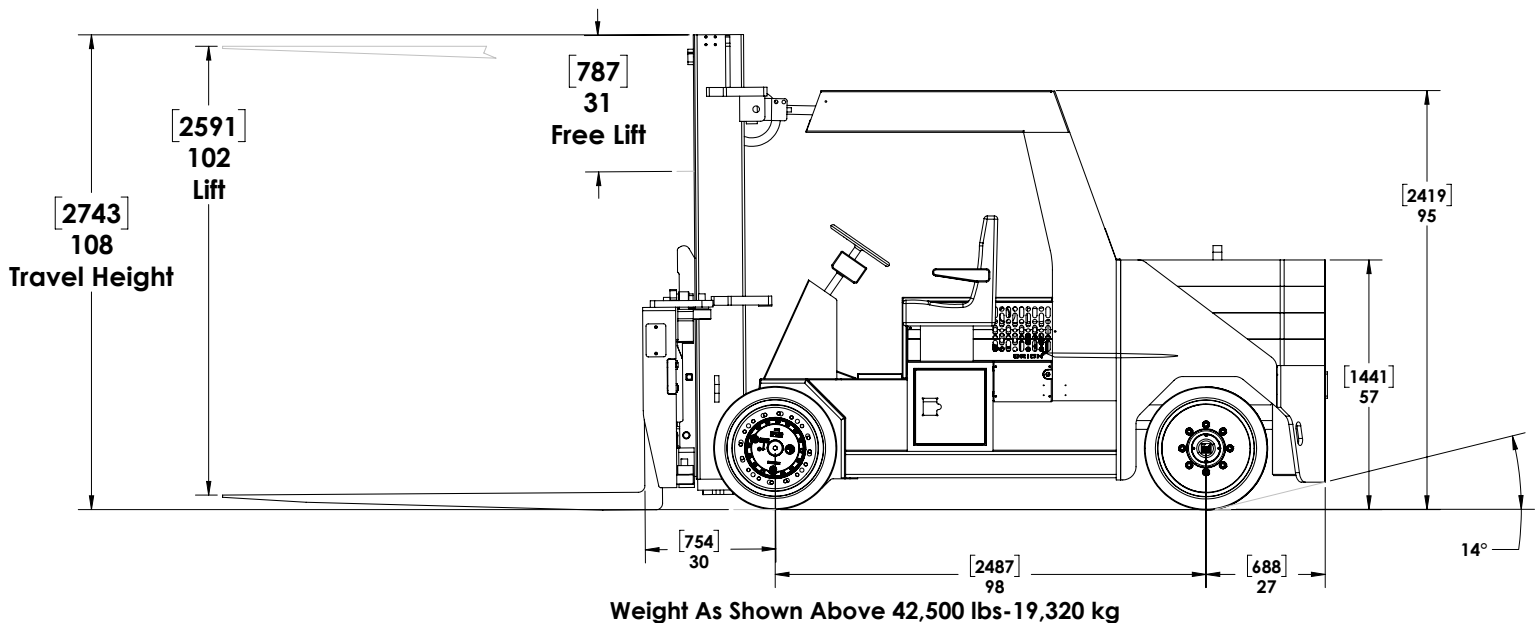
40,000 lbs @ 24" w/Sideshift

28,120 lbs @ 48" w/Sideshift

Lift Height (clear): 102"
 Free Lift: 31"
 Standard Forks dimensions: 96" x 8" x 4"
 Max distance between standard forks: 39.5"
 Max distance outside-to-outside forks: 55.5"
 Min distance between forks: 4"
 Max lift height w/boom: 26'
 Max horizontal reachw/boom: 9'
 Travel Height: 108"

Overall Width: 60"
 Overall Length: 155"
 Wheelbase: 98"
 Engine/Fuel: 5.7L LP GM Industrial
 Hydrostatic Pump: Danfoss
 Gradability: 20% loaded 50% unloaded
 Tires Front: 28" x 16" x 22" non-marking
 Tires Rear: 28" x 10" x 22" non-marking

Forklift Specifications



Rated Fork Capacities (lbs.)							
LC in Inches >	24"	36"	48"	60"	72"	84"	96"
0 CWT	16,300	13,300	11,280	9,780	8,630	7,720	6,980
1 CWT	22,380	18,310	15,490	13,430	11,850	10,600	9,590
2 CWT	28,460	23,280	19,700	17,070	15,060	13,480	12,200
3 CWT	34,540	28,260	23,910	20,720	18,280	16,360	14,800
4 CWT	40,000	33,230	28,120	24,370	21,500	19,240	17,410

*CAPACITIES RATED WITH MAST VERTICAL

ORION[★] 40K

POWER, PERFORMANCE & PRECISION

ORION 40K features:

- ✓ Side-shifting carriage permits safer, faster, more accurate placement of big, heavy loads.
- ✓ Full-power fork locators align the forks where you need them, when you need them, effortlessly.
- ✓ Rugged design, durable construction, and long-life components.
- ✓ The Orion Quick Change Riggers' Boom is safer and faster to install AND it improves boom lifting capacities.
- ✓ Tilt and roll angle sensors

Optional Equipment:

- ✓ Extra-long forks
- ✓ Coil prong or Coil forks
- ✓ Extra-wide/custom carriage
- ✓ Diesel engine
- ✓ Full-function (steer, drive, lift) Digital, Radio Remote Control
- ✓ Tall Mast (129" travel & 144" lift height with 52.5" free lift)



Tilt steering, ergonomic seating, easy-read, light-touch controls



Back up camera, back up alarm, among the safety features standard



Very Low Lift LP Tank Loading. Improves safety immensely



Easy-Read Load Scale.



High Reach Inc., 480 Wyecroft Road, Oakville, Ontario, L6K 2G7 Canada
T: 905-844-4164 • www.highreachinc.com